

GV-1120B, GV-1240B, GV-1480B

GV-Combo B Card (GV-1120B, GV-1240B and GV-1480B) are of GV-Comb Card series, providing one single card solution for 16 video / audio recording and real-time display.

Minimum System Requirements

| | | | |
|---------------------|---|---|---|
| OS | 32-bit | Windows 7 / 8 / 8.1 / 10 / Server 2008 | |
| | 64-bit | Windows 7 / 8 / 8.1 / 10 / Server 2008 R2 / Server 2012 | |
| CPU | GV-1120B | | Pentium 4, 3.0 GHz with Hyper Threading |
| | GV-1120B x 2 | | Core 2 Duo, E7200, 2.53 GHz |
| | GV-1240B | | Pentium 4, 3.0 GHz, Dual Core |
| | GV-1240B x 2 | | Core 2 Duo, 3.0 GHz |
| | GV-1480B | | Core 2 Duo, 3.0 GHz |
| | GV-1480B x 2 | | Core 2 Quad, 2.4 GHz |
| RAM | GV-1120B / 1240B / 1480B | | 2 x 1 GB Dual Channels |
| | GV-1120B x 2 / 1240B x 2 / 1480B x 2 | | 2 x 1 GB Dual Channels |
| HDD | GV-1120B | | 80 GB |
| | GV-1120B x 2 | | 160 GB |
| | GV-1240B | | 120 GB |
| | GV-1240B x 2 | | 250 GB |
| | GV-1480B | | 250 GB |
| | GV-1480B x 2 | | 500 GB |
| Graphic Card | AGP or PCI-Express, 800 x 600 (1280 x 1024 recommended), 32-bit color | | |
| DirectX | 9.0c | | |

Packing List (DVI-Type)

1. GV- Combo B Card x 1
2. 1-16 DVI-Type Video Cable x 1
3. 1-16 DVI-Type Audio Cable x 1
4. Hardware Watchdog Jumper Wire x 1
5. Software DVD x 1

Connecting One GV-Combo B Card (DVI-Type)

- Connect the DVI video and audio cables to the GV-Combo B Card.
- Connect the supplied Hardware Watchdog Jump Wire (Figure 5).

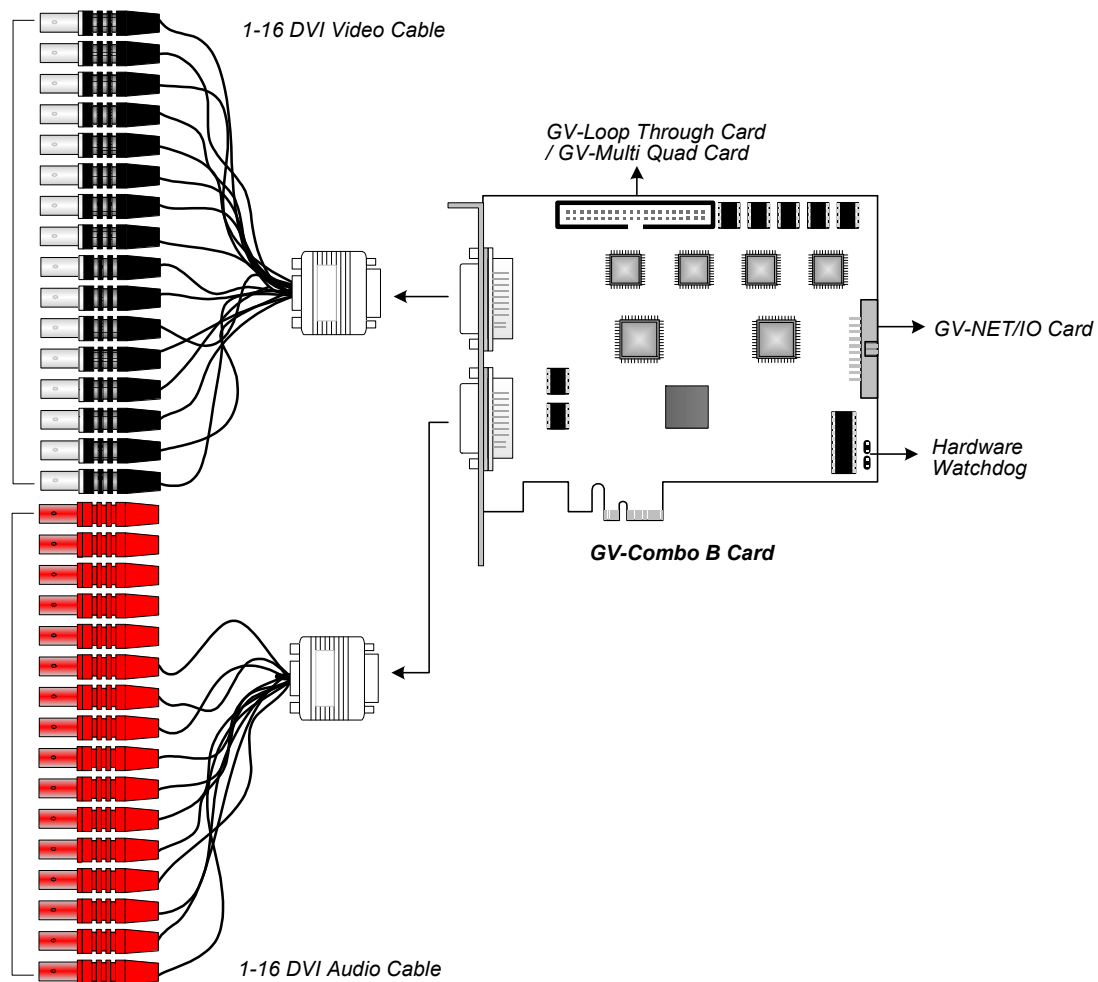


Figure 2

Note: Combo B Cards cannot work with microphones which acquire power from the PC. Use microphones that have external power supply.

Connecting Two GV-Combo B Cards

You can install two GV-Combo B Cards of the same model for up to 32 channels. Master Card is the card with 1-16 channels and Slave Card is that with 17-32 channels. Normally, the card attached to the lower PCI-E slot number will act as Master, and the card attached to the higher PCI-E slot number will act as Slave.

- **Hardware Watchdog Connection:** Connect the supplied Hardware Watchdog Jump Wire to the Master Card only (Figure 5).
- **Accessory Card Connections:**
 - ⊙ GV-NET/IO Card: Connect the card only to the Master Card.
 - ⊙ GV-Loop Through Card: Connect the card for each video capture card.
 - ⊙ GV-Multi Quad Card: Only connect one card to any of two video capture cards.

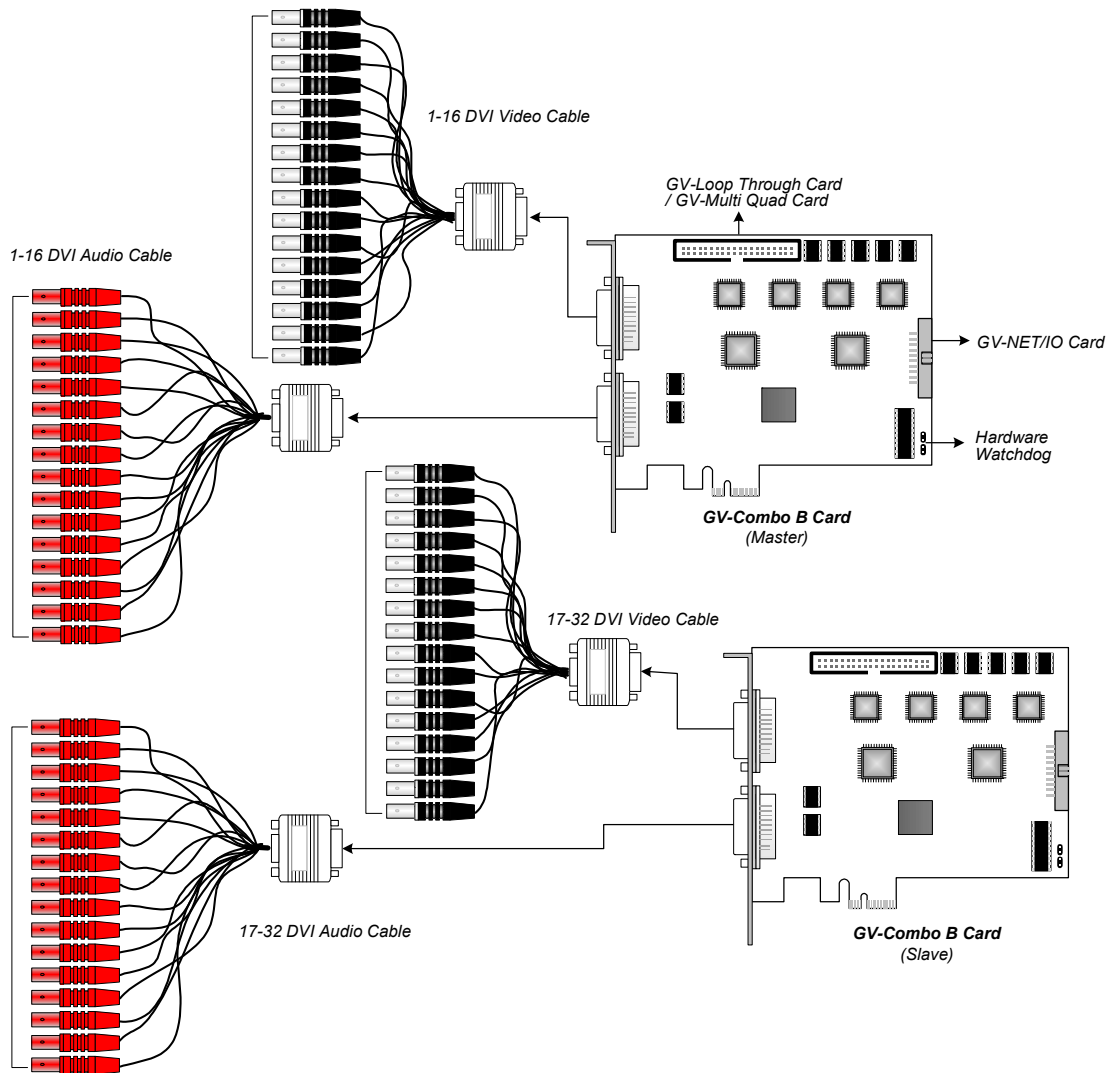


Figure 4

Connecting Hardware Watchdog

Insert the Hardware Watchdog Jumper Wire to the 2-pin connectors on the Card and on the motherboard as illustrated below. Ensure the connection is correct; otherwise the hardware watchdog will not work.

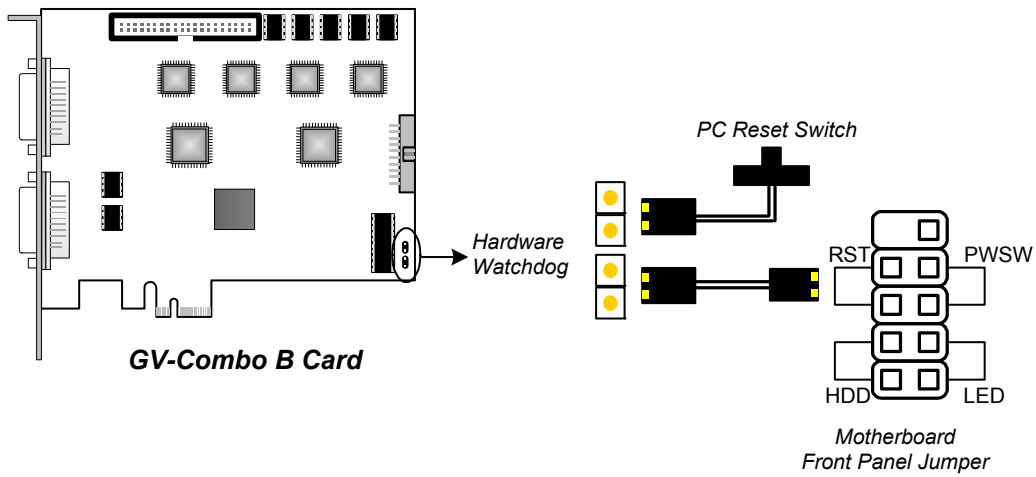


Figure 5

Installing Drivers

After installing the GV-Combo B Card in the computer, insert the software DVD. The DVD will run automatically and an installation window will pop up. Select **Install or Remove GeoVision GV-Series Driver**, and select **Install or Remove GeoVision GV-Series Card Drivers** to install card drivers.

To verify the drivers are installed correctly, go to Windows Device Manager and see if their entries are listed. The image below is an example of installing one GV-Combo B card.

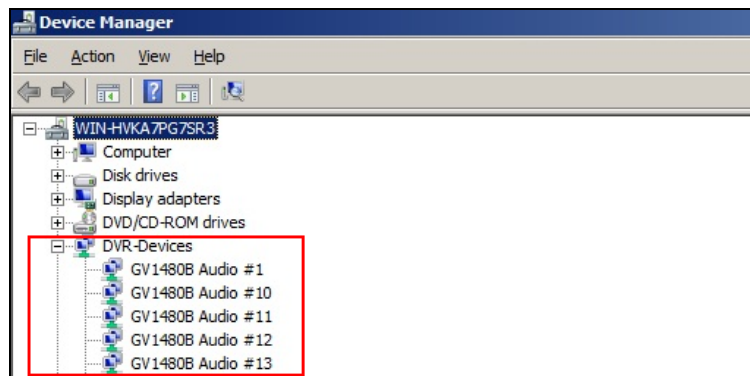


Figure 6

Expand the **DVR-Devices** field, you can see:

| Card Model | | Entry |
|------------|------------------|--|
| GV-1120B | Single-card mode | GV-1120B Audio #1~#16 GV-1120B Video #1~#16 |
| | Two-card mode | GV-1120B Audio #1~#16 GV-1120B Audio #1~#16 GV-1120B Video #1~#16 GV-1120B Video #1~#16 |
| GV-1240B | Single-card mode | GV-1240B Audio #1~#16 GV-1240B Video #1~#16 |
| | Two-card mode | GV-1240B Audio #1~#16 GV-1240B Audio #1~#16 GV-1240B Video #1~#16 GV-1240B Video #1~#16 |
| GV-1480B | Single-card mode | GV-1480B Audio #1~#16 GV-1480B Video #1~#16 |
| | Two-card mode | GV-1480B Audio #1~#16 GV-1480B Audio #1~#16 GV-1480B Video #1~#16 GV-1480B Video #1~#16 |

Specifications

| | | | GV-1120B | GV-1240B | GV-1480B |
|-------------------------------------|-----------------|-------------|--|-----------------|-----------------|
| Interface Type | | | PCI-E (x4) | | |
| Input Type | | | DVI | | |
| Video Input | | | 16 Cams | 16 Cams | 16 Cams |
| Audio Input | | | 16 Channels | 16 Channels | 16 Channels |
| Recording Rate | CIF | NTSC | 120 fps | 240 fps | 480 fps |
| | | PAL | 100 fps | 200 fps | 400 fps |
| | D1 | NTSC | 120 fps | 240 fps | 480 fps |
| | | PAL | 100 fps | 200 fps | 400 fps |
| Display Rate | CIF | NTSC | 480 fps | | |
| | | PAL | 400 fps | | |
| | D1 | NTSC | 480 fps | | |
| | | PAL | 400 fps | | |
| Video Resolution | | NTSC | 704 x 480, 704 x 480 De-interlace, 640 x 480, 640 x 480 De-interlace, 352 x 240, 320 x 240 | | |
| | | PAL | 704 x 576, 704 x 576 De-interlace, 640 x 480, 640 x 480 De-interlace, 352 x 288, 320 x 240 | | |
| Video Compression Format | | | Geo MPEG4, Geo H264 | | |
| Audio Compression Format | | | AAC (16 kHz / 16 bit, 32 kHz /16 bit) | | |
| GV-Multi Quad Card Support | | | Yes | | |
| GV-Loop Through Card Support | | | Yes | | |
| GV-NET/IO Card Support | | | Yes | | |
| Dimensions | DVI-Type | | 156 x 111 mm / 6.14 x 4.37 in | | |

| | | | GV-1120B x 2 | GV-1240B x 2 | GV-1480B x 2 |
|-------------------------------------|-----------------|--|--|---------------------|---------------------|
| Interface Type | | PCI-E (x4) x 2 | | | |
| Input Type | | DVI | | | |
| Video Input | | 32 Cams | 32 Cams | 32 Cams | 32 Cams |
| Audio Input | | 32 Channels | 32 Channels | 32 Channels | 32 Channels |
| Recording Rate | CIF | NTSC | 240 fps | 480 fps | 960 fps |
| | | PAL | 200 fps | 400 fps | 800 fps |
| | D1 | NTSC | 240 fps | 480 fps | 960 fps |
| | | PAL | 200 fps | 400 fps | 800 fps |
| Display Rate | CIF | NTSC | 960 fps | | |
| | | PAL | 800 fps | | |
| | D1 | NTSC | 960 fps | | |
| | | PAL | 800 fps | | |
| Video Resolution | | NTSC | 704 x 480, 704 x 480 De-interlace, 640 x 480, 640 x 480 De-interlace, 352 x 240, 320 x 240 | | |
| | | PAL | 704 x 576, 704 x 576 De-interlace, 640 x 480, 640 x 480 De-interlace, 352 x 288, 320 x 240 | | |
| Video Compression Format | | Geo MPEG4, Geo H264 | | | |
| Audio Compression Format | | AAC (16 kHz / 16 bit, 32 kHz / 16 bit) | | | |
| GV-Multi Quad Card Support | | Yes | | | |
| GV-Loop Through Card Support | | Yes | | | |
| GV-NET/IO Card Support | | Yes | | | |
| Dimensions | DVI-Type | 156 x 111 mm / 6.14 x 4.37 in | | | |