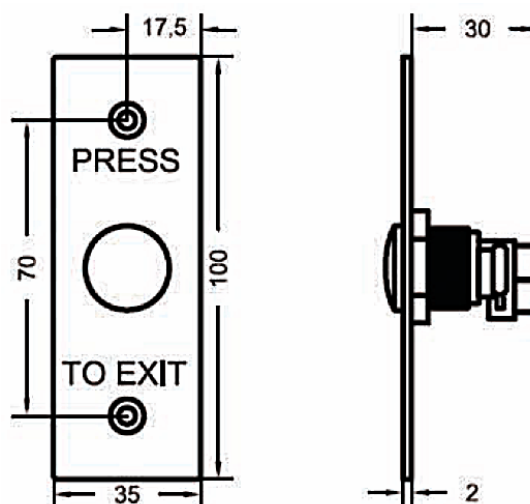


## PB21 Push Button Switch

The PB21 is an American standard push button switch, designed with a stainless steel faceplate. It can be integrated with access control system, allowing door exit by momentarily activating or deactivating the electric locking device.

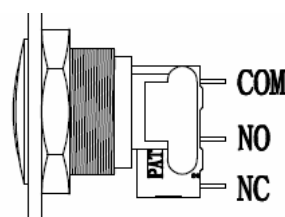
### Packing List

1. PB21 push button switch x 1
2. Phillips screw x 2
3. Wire clamp x 3
4. Wire protection tube x 3



### Contacts

1. To set a normally closed switch, connect the wires of access control system to the **COM** and **NC** pins of the push button switch.
2. To set a normally opened switch, connect the wires of access control system to the **COM** and **NO** pins of the push button switch.



### Specifications

<b>Push Button Switch</b>	Dry contact, 5A / AC 125V or 3A / AC 250V
<b>Operating Temperature</b>	-5°C ~ 50°C (23°F ~ 122°F)